



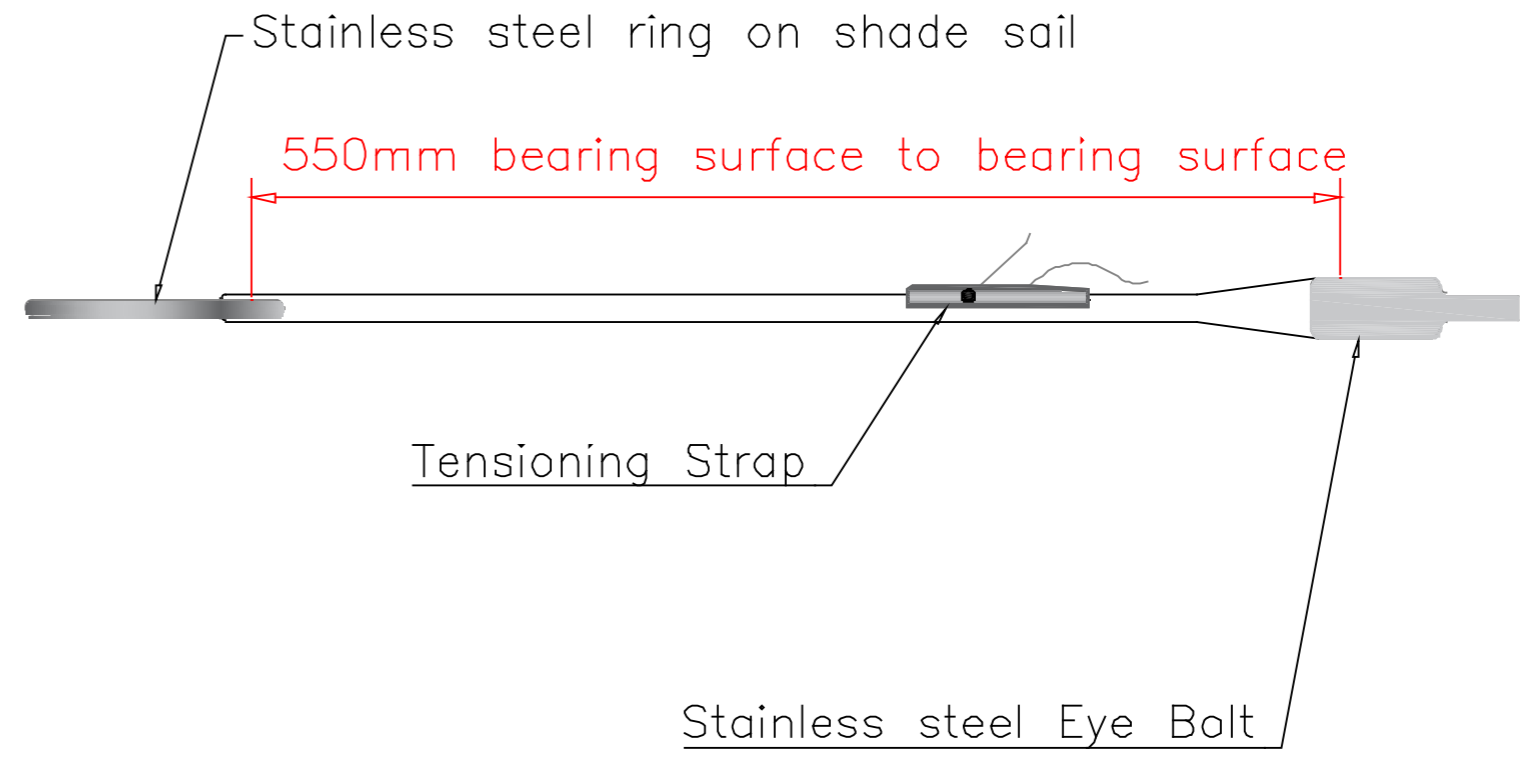
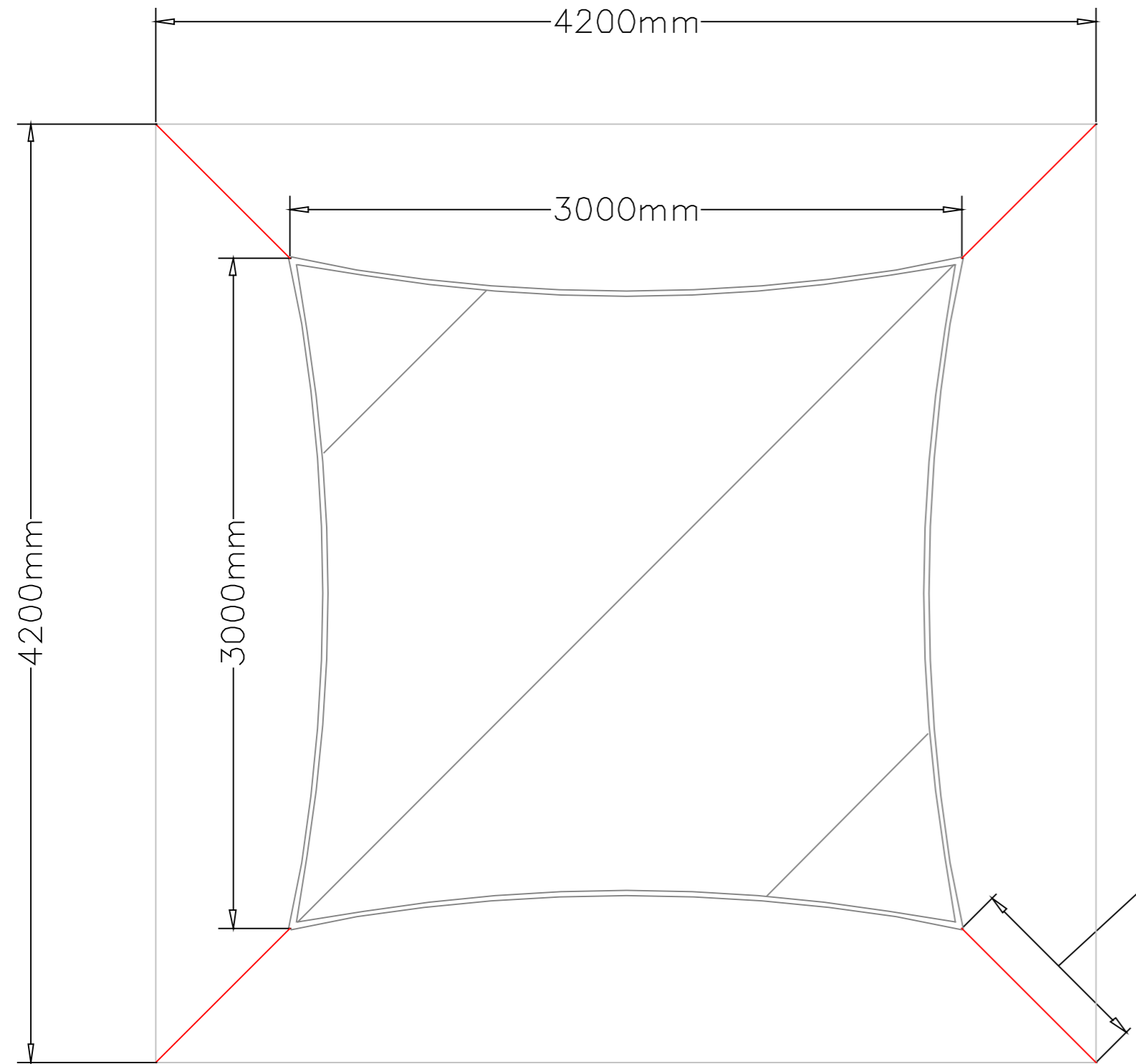
# Shade Sails

## Tensioning Straps

On each of the shade sail specification sheets, you will see the dimensions for the sails. Always allow a minimum link length of 250mm on any shade, this allows you to tension the sail correctly.

For example a 3m x 3m dimensions are corner to corner of the shade sail, this is your point to which you tension from by lacing through the shade sail ring using the complimentary tensioning straps supplied.

Each strap has a link length of 750mm maximum which you will find more than adequate. On the occasion you require something longer we can manufacture you a longer strap for an additional charge.



550mm = link length e.g. the tensioning strap length.

