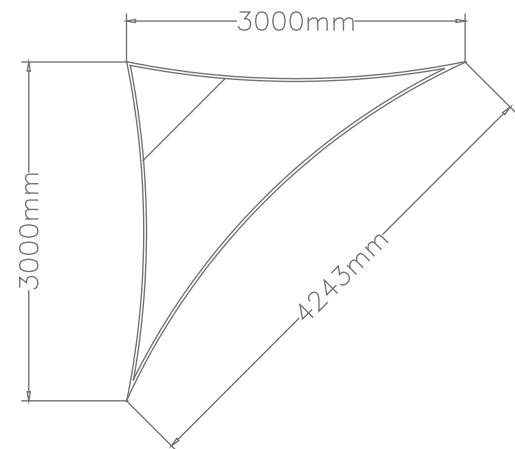
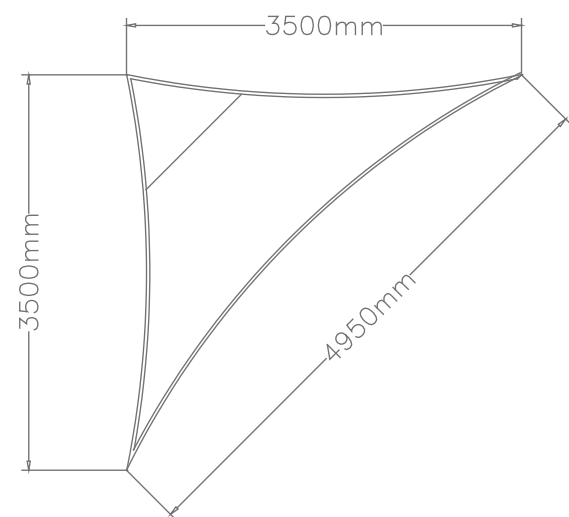




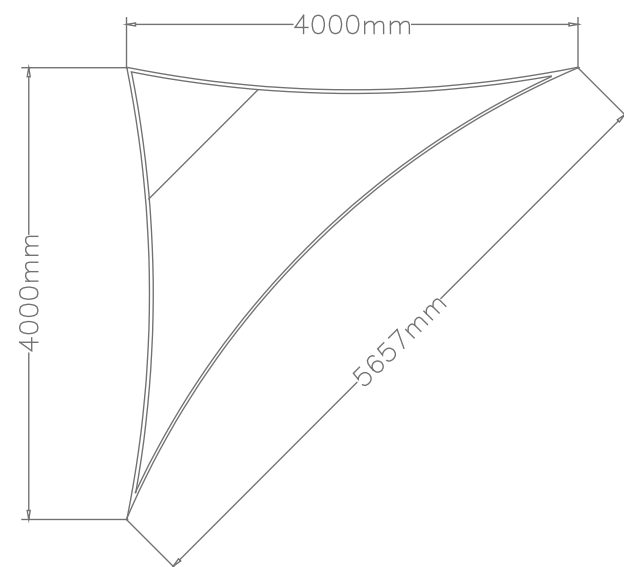
# Shade Sails



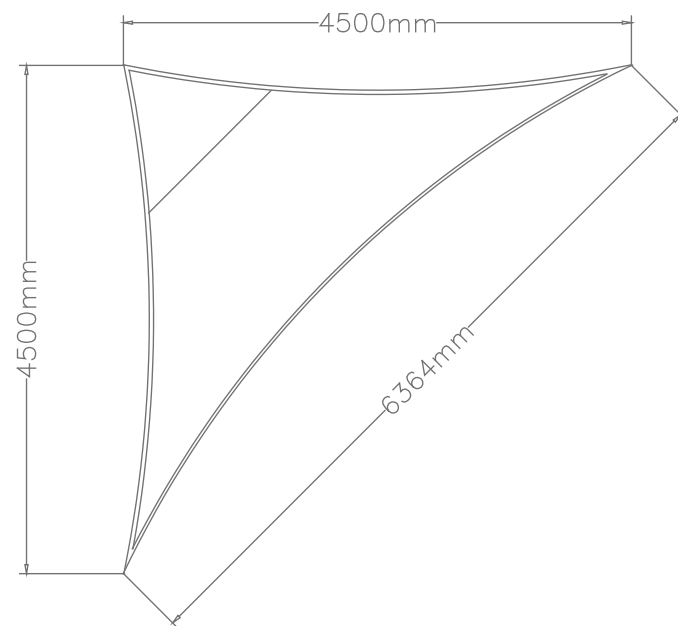
3m x 3m x 4.24m Shade



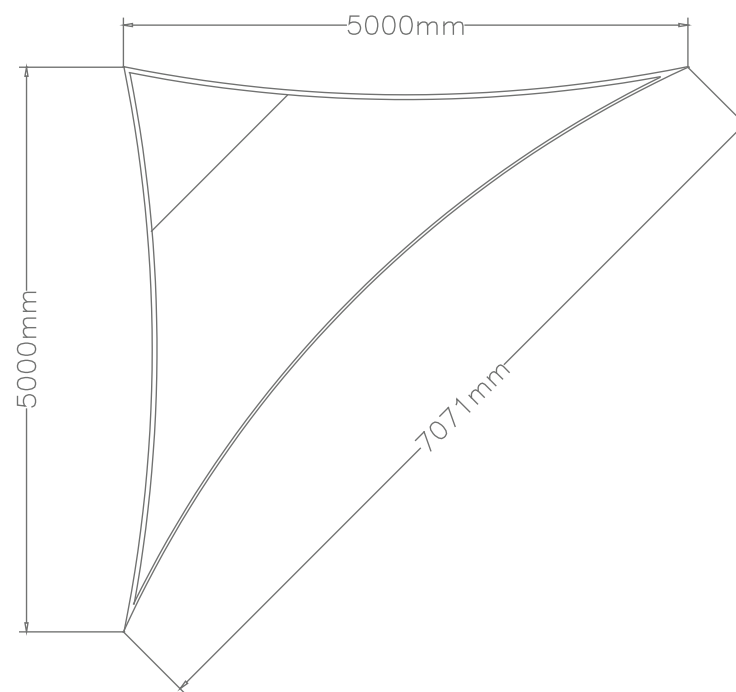
3.5m x 3.5m x 4.95m Shade



4m x 4m x 5.65m Shade



4.5m x 4.5m x 6.36m Shade



5m x 5m x 7.07m Shade

## Right Angle Triangle Shades

Made here in the UK from high quality flame retardant fabrics offering protection from both the sun and rain.

**Option A** FW601-SDFR, is a natural looking PU coated Polyester fabric, lighter weight and easy to handle complete with twin stitched and taped seams.

Specification:  
Polyester 660 Dtex.  
PU Coating - 310 g/m2.  
FR - B1 (DIN 4102), M2 (NPF 92-507).

**Option-B** is a Premium grade PVC FW-580VIPFR, a stronger heavy weight option with HF welded seams, rather than stitched.

Specification:  
Polyester 1100dtx coated with PVC 580g/m2.  
Shiny lacquered finish to both sides.  
M2 Fire rating.

Characteristics for both of the above:

- Anti-Fungal
- Flame retardant
- UV Resistant
- Waterproof

We use a strong polyester webbing edge to create tension in the shade. This is sewn in place using bonded nylon thread, which is highly regarded for its resistance to extreme weather conditions and impervious to perspiration, abrasion, rot and corrosion caused by contact with saltwater and UV. The webbing is finished around marine grade stainless steel rings to each of the corners.

Each shade will come with a tensioning strap for each corner, this will attach to the stainless steel ring and the fixing you have installed. (Ideally, you want the shade to be drum tight as this will stop any ponding if you have rain, we are in the UK after all).

